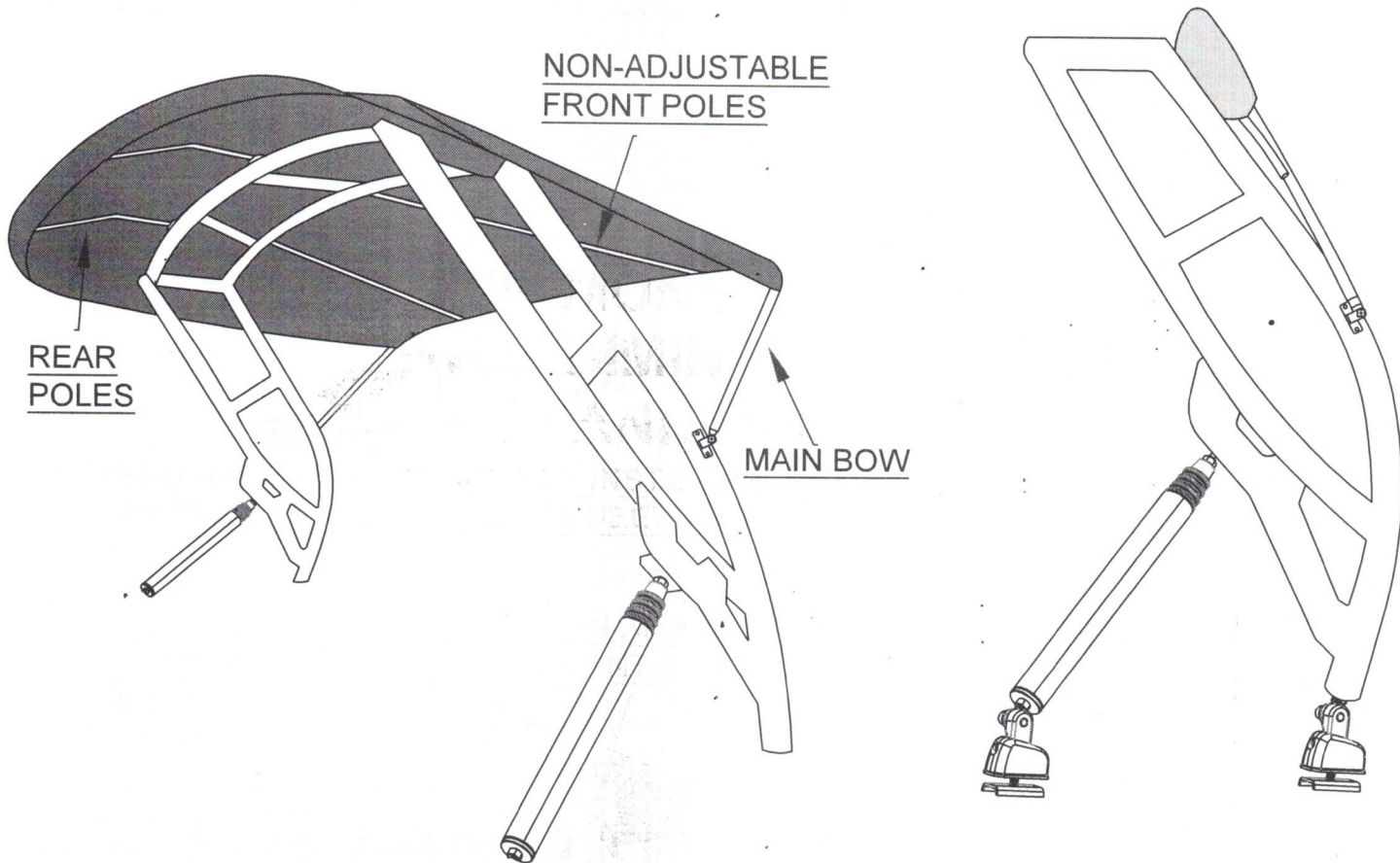


2024 MONSTER TOWER MT-7 TOWER BIMINI TOP INSTALLATION AND OPERATION

**ALL MOUNTING HARDWARE SHOULD BE INSTALLED PER
MOUNTING HARDWARE INSTALLATION SHEET**



1) TAKE THE BOOTED TOP AND FIND THE MAIN BOW ENDS (LONGEST BOWS). THIS IS THE MAIN BOW THAT WILL BE ATTACHED TO THE MOUNTS ON THE FRONT SIDE OF TOWER LEG.

2) PLACE THE BOOTED BIMINI ON FRONT OF THE TOWER IN FRONT OF THE SKI TOW AND RESTING ON SPEAKER BAR. TOP CAN BE SECURED TO TOWER WITH STRAPS ON BOOT TO PREVENT IT FROM FALLING.

3) PLACE EACH MAIN BOW EYE END INTO TOWER MOUNTS AND SECURE WITH TWIST KNOB THAT IS IN KIT.

4) REMOVE THE BIMINI TOP BOOT. PULL THE SECOND BOW (SHORTEST BOW) BACK OVER TOP OF TOWER. OPEN 33" ZIPPERED POCKET ALLOWING ACCESS TO REAR POLES. INSERT POLES APPROXIMATELY 1" INTO OPENING ON BACK SIDE OF REAR BAR. POSITION OPENING IN FABRIC AROUND SKI PYLON.

5) SWING MAIN BOW OUT AWAY FROM TOWER.

6) OPEN 8" ZIPPERED POCKET ALLOWING ACCESS TO FRONT POLES. SWING POLES BACK TO MOUNTS ON FRONT OF TOWER. ATTACH WITH TWIST KNOBS IN KITS.

TO STORE

REVERSE ABOVE STEPS.

ONCE STORAGE BOOT IS ZIPPED AROUND TOP FABRIC AND FRAMES, FOLD TOP BACK AGAINST TOWER AND SECURE WITH STRAPS ON BOOT.

GREAT LAKES BOAT TOP

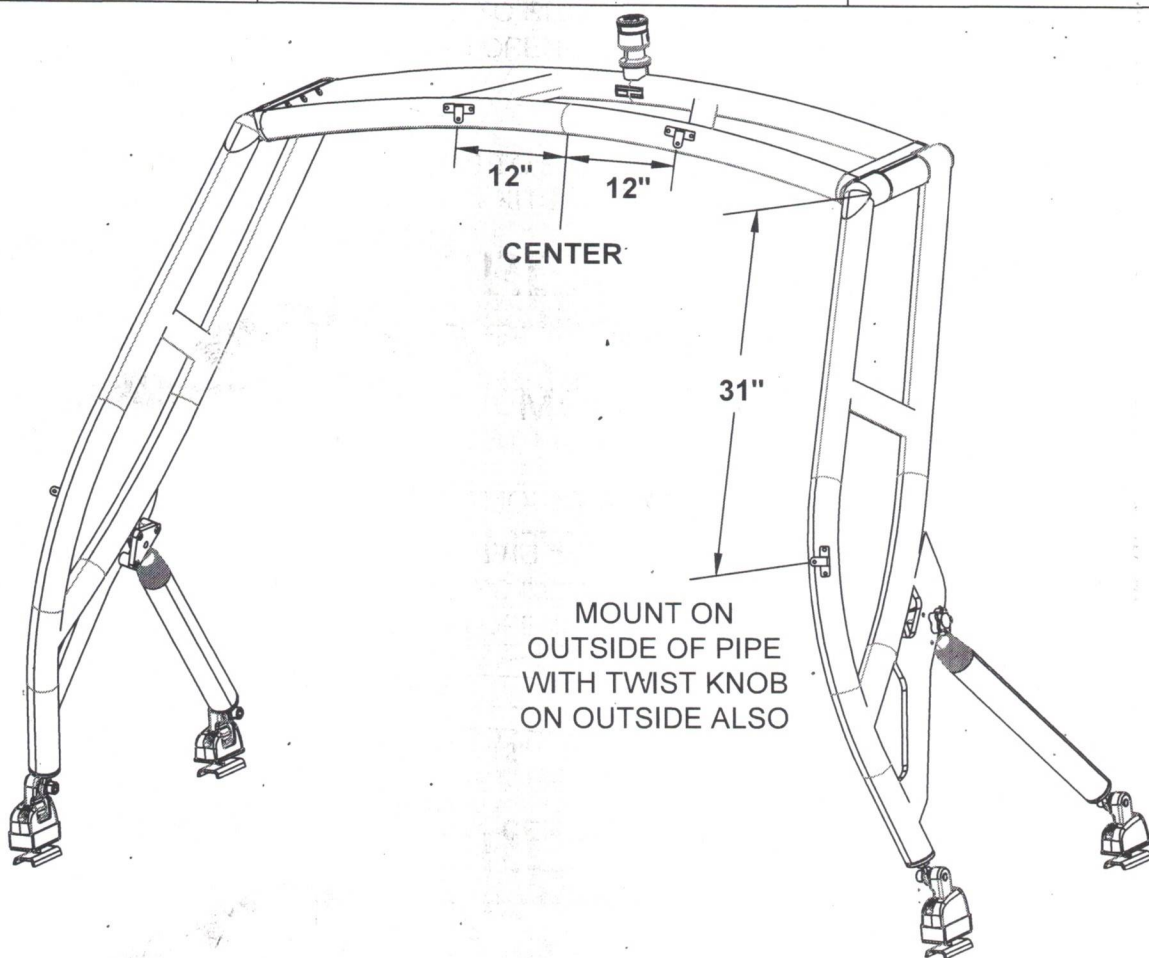
TOWER BIMINI TOP MOUNTING INSTRUCTIONS

2024 MONSTER TOWER

MT-7

MT MT7 NN1-3BS0AA

**FRONT OF
 TOWER**



1) MEASURE 31" DOWN FROM TOP CORNER FOR CENTER OF MAIN BOW MOUNT. PLACE MOUNT ON OUTSIDE OF TOWER LEG PIPES (NOT ON TOP OF TOWER LEG) & BLACK TWIST KNOB ON OUTSIDE. ATTACH WITH SELF TAPPING SCREWS.

2) MEASURE 12" OUT FROM CENTER OF BRACE BAR FOR CENTER OF SUPPORT POLE MOUNT. PLACE MOUNT ON FRONT OF BAR SO THAT BLACK TWIST KNOB IS DOWN. ATTACH WITH SELF TAPPING SCREWS.

HARDWARE PACKAGED

- 200831 - 4 - DECK HINGE 180 SS MOUNT
- 101180 - 4 - BLACK TWIST KNOBS
- 100470 - 8 - #10 X 3/4" PHIL FLAT. TEK SCREWS

ASSEMBLY PACKAGED

- 100340 - 8 - 8 X 5/8" PHIL OVAL HEAD SS SCREWS